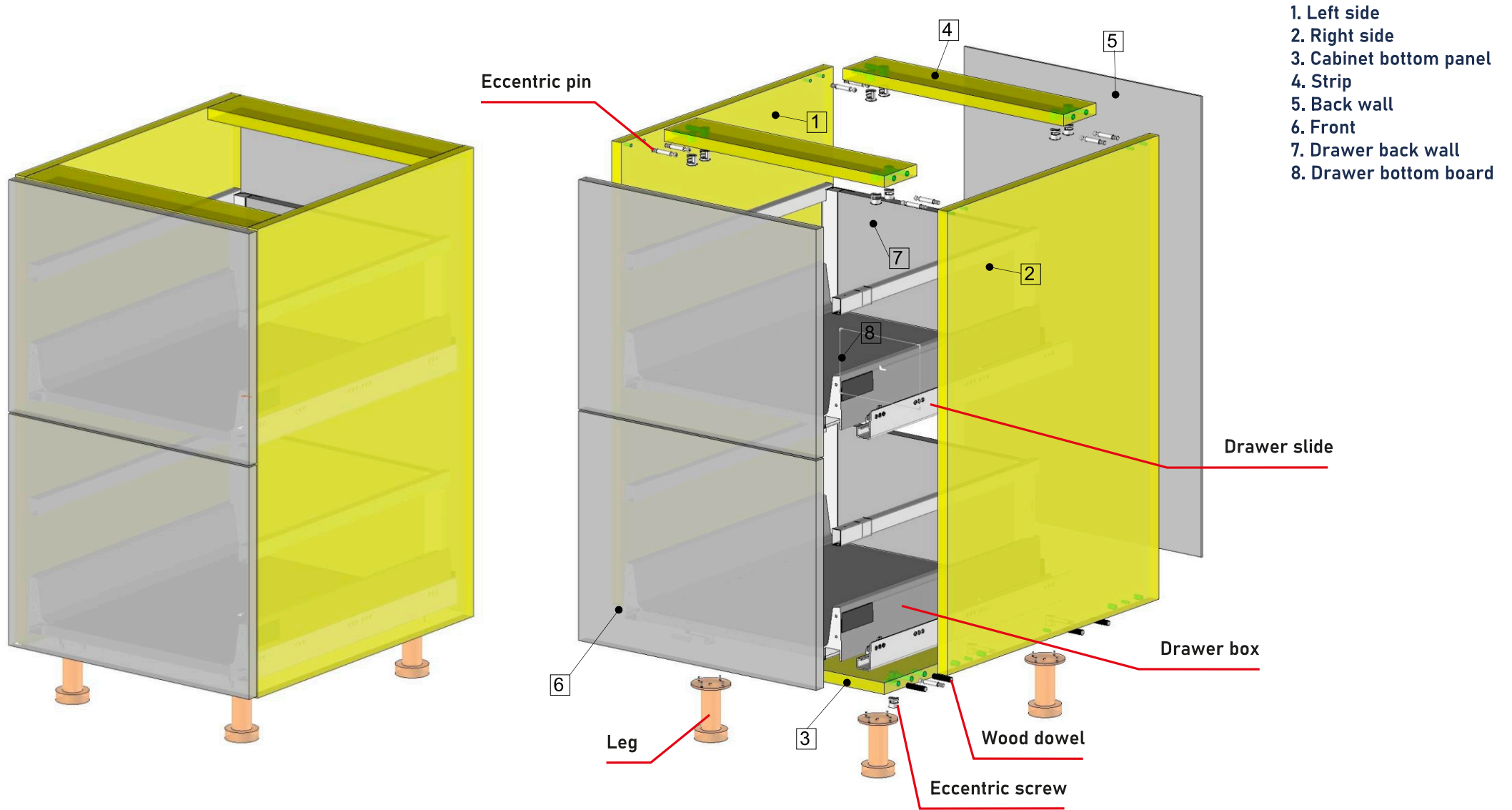


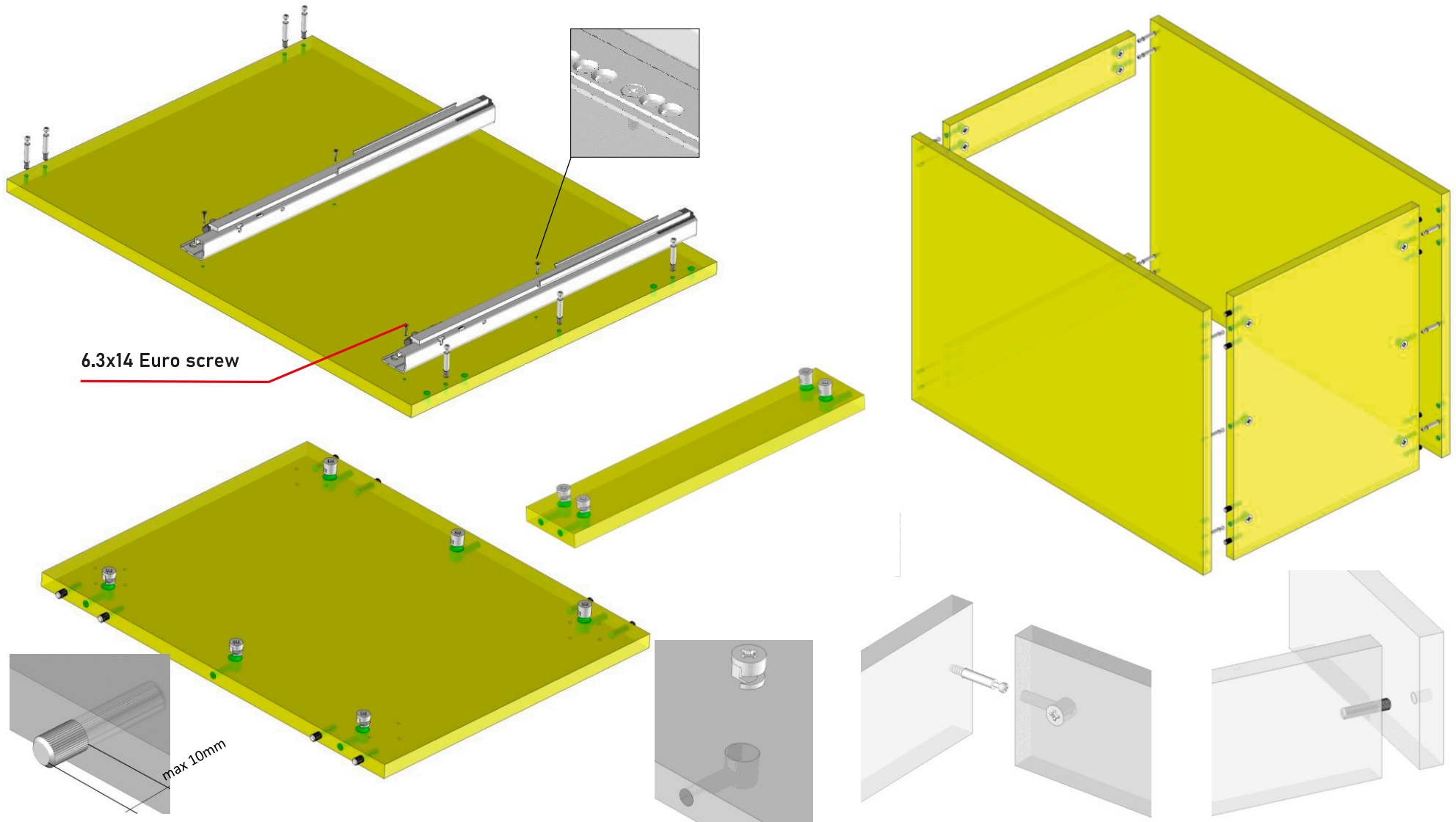


BASE CABINET – DRAWERS
Assembled with the use of
eccentrics



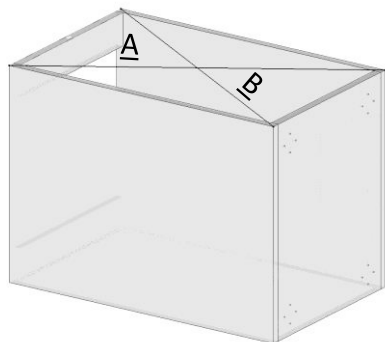
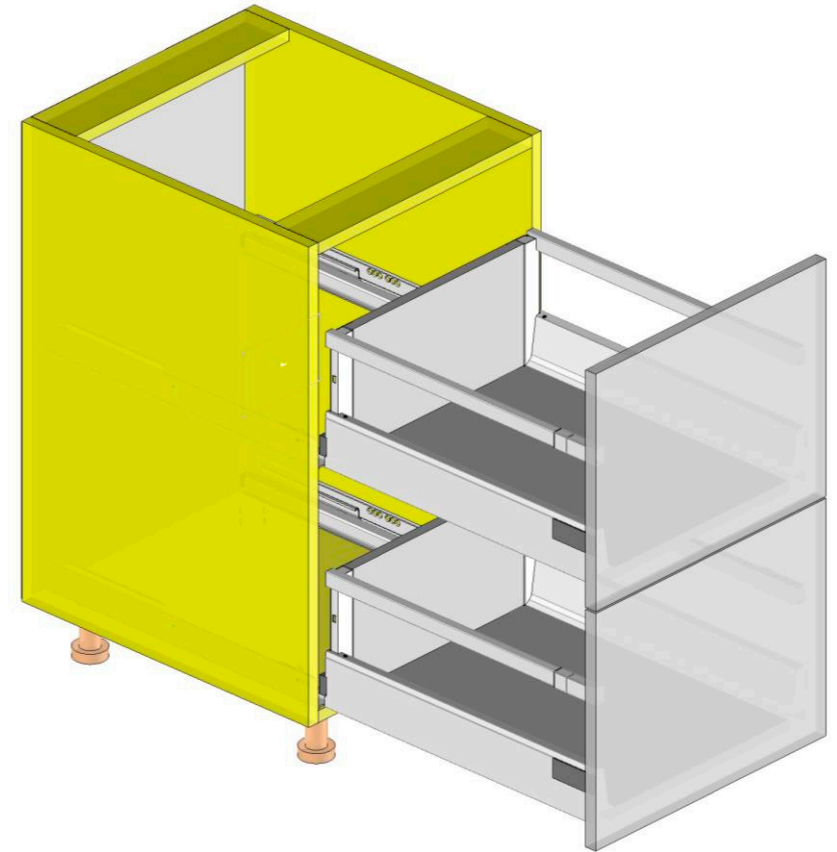
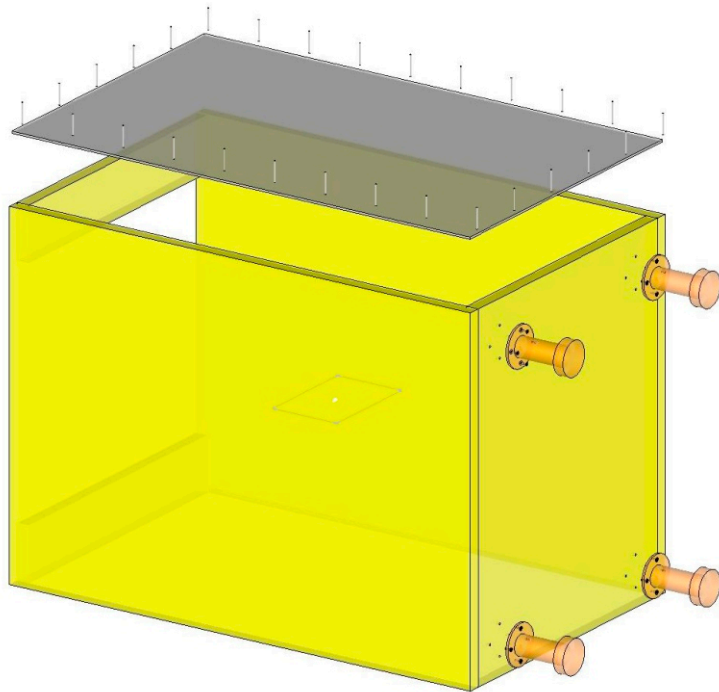


BASE CABINET – DRAWERS
Assembled with the use of
eccentrics

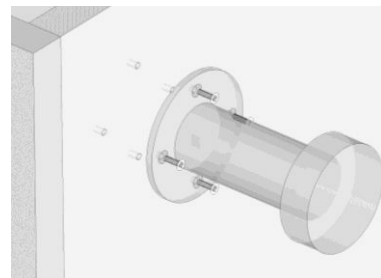




BASE CABINET – DRAWERS
Assembled with the use of
eccentrics

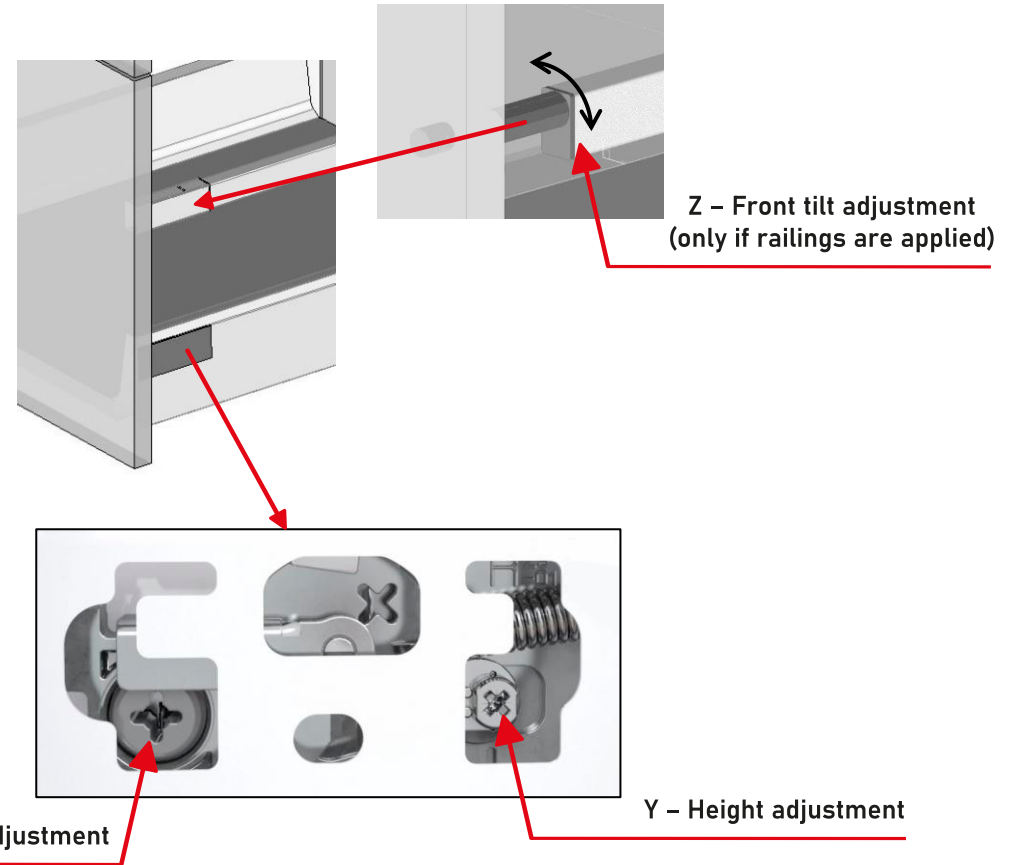
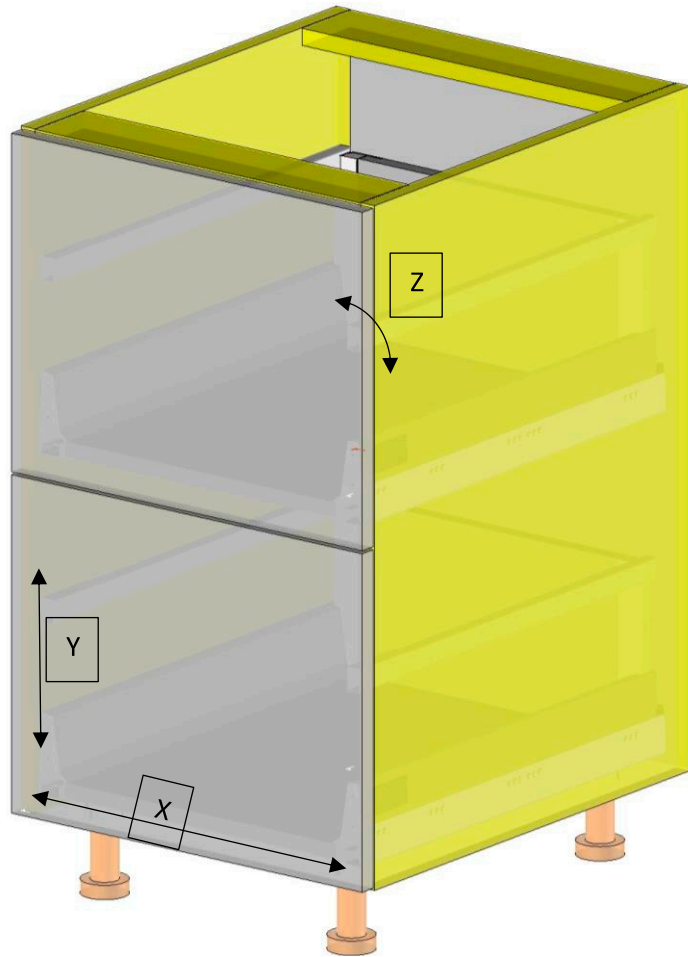


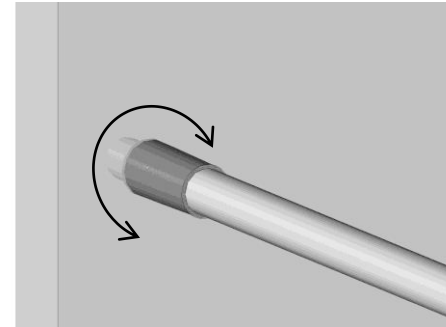
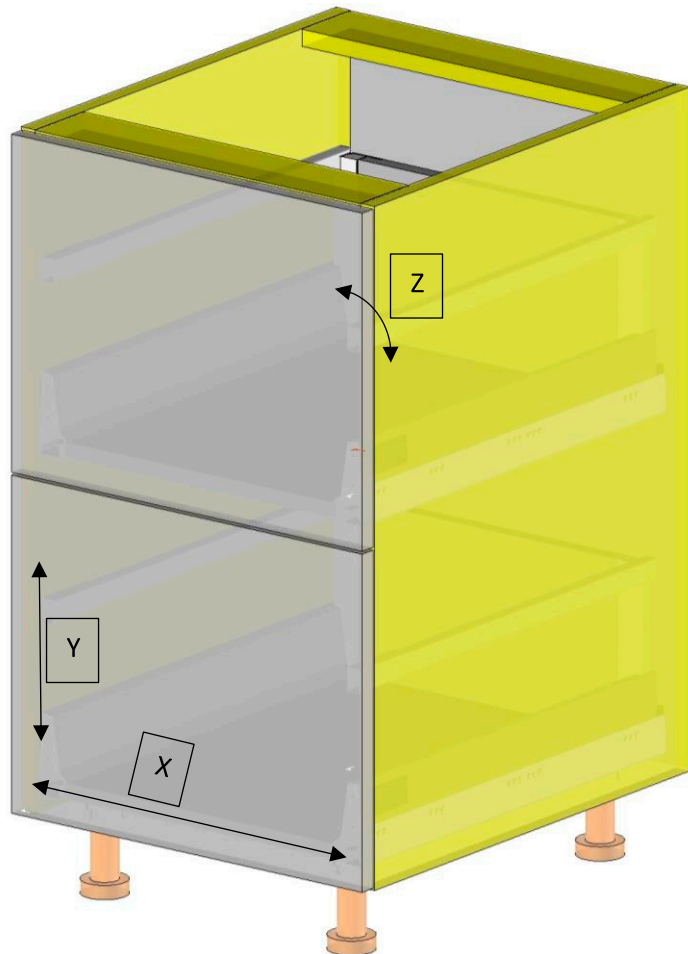
A=B



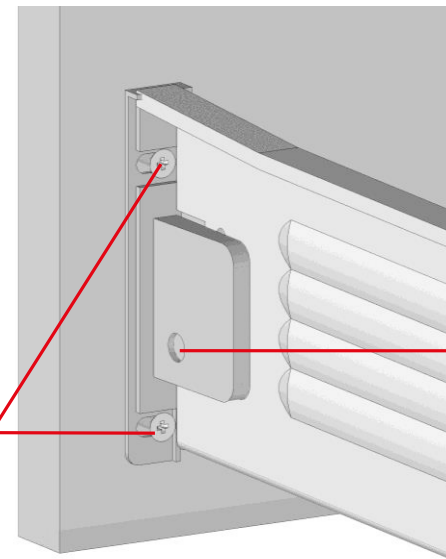


BASE CABINET – DRAWERS
Assembled with the use of
eccentrics





Z – Front tilt adjustment
(only if railings are applied)



Y – Height adjustment

X – Side adjustment